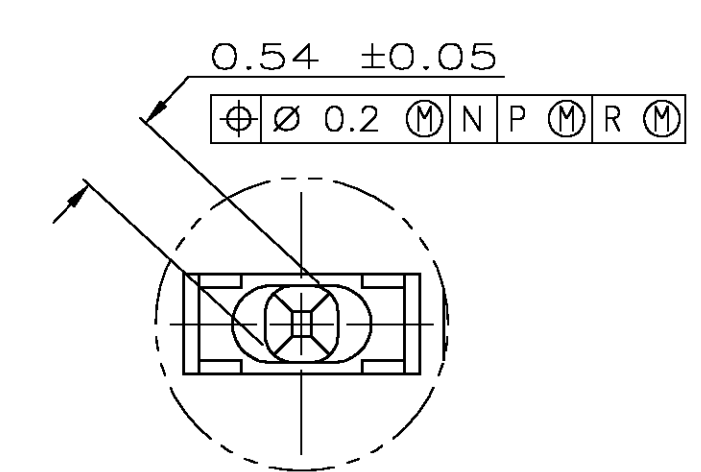


- 1 HOUSING MATERIAL: LIQUID CRYSTAL POLYMER  
COLOR: NATURAL.
- 2 CONTACT MATERIAL: PHOSPHOR BRONZE
- 3 CONTACT FINISH:(B)  
UNDERPLATE (ENTIRE CONTACT):  
0.00127 MIN NICKEL PER SAE-AMS-QQ-N-290  
ON MATING SURFACES:  
CONFORMS TO ALL TESTING SPECIFIED FOR TELCORDIA  
UNCONTROLLED ENVIRONMENT.  
ON LEADS:  
0.0006 MIN MATTE TIN PER ASTM B 545 OVER UNDERPLATE.  
LUBRICATION (MIN MATING SURFACES):  
SURFACE CONDITIONER AFTER PLATING.
- 4 PART MARKING LOCATED APPROXIMATELY AS SHOWN.
- 5 DIMENSION APPLIES WHEN SEATED ON PRINTED CIRCUIT BOARD.



DETAIL Z  
SCALE 20:1

|     |    |        |                   |             |
|-----|----|--------|-------------------|-------------|
| 130 | 65 | 131.88 | 330               | 1-5223002-1 |
| 118 | 59 | 119.88 | 300               | 1-5223002-0 |
| 106 | 53 | 107.88 | 270               | 5223002-9   |
| 94  | 47 | 95.88  | 240               | 5223002-8   |
| 82  | 41 | 83.88  | 210               | 5223002-7   |
| 70  | 35 | 71.88  | 180               | 5223002-6   |
| 58  | 29 | 59.88  | 150               | 5223002-5   |
| 46  | 23 | 47.88  | 120               | 5223002-4   |
| 34  | 17 | 35.88  | 90                | 5223002-3   |
| 22  | 11 | 23.88  | 60                | 5223002-2   |
| 10  | 5  | 11.88  | 30                | 5223002-1   |
| C   | B  | A      | NO OF SIGNAL POSN | PART NUMBER |

RECOMMENDED CIRCUIT PATTERN  
(COMPONENT SIDE)

THIS DRAWING IS A CONTROLLED DOCUMENT.

|                  |                                                                                          |          |           |
|------------------|------------------------------------------------------------------------------------------|----------|-----------|
| DIMENSIONS:      | TOLERANCES UNLESS OTHERWISE SPECIFIED:                                                   | APVD     | REVISED   |
| mm               | 0 PLC ± -<br>1 PLC ± -<br>2 PLC ± 0.13<br>3 PLC ± -<br>4 PLC ± -<br>ANGLES ± -<br>FINISH | R. WERTZ | R. WERTZ  |
| MATERIAL         | FINISH                                                                                   | SIZE     | CAGE CODE |
| 1 2 3            |                                                                                          | A1       | 00779     |
| CUSTOMER DRAWING |                                                                                          | SCALE    | SHEET     |
|                  |                                                                                          | 4:1      | 1 OF 1    |

THIS DRAWING IS A CONTROLLED DOCUMENT. DIM 9 MCMMASTER 19NOV04. Tyco Electronics Corporation, Harrisburg, Pa 17105-3608. NAME ASSEMBLY, PIN, SIGNAL, VERTICAL, Z-PACK 2mm FB, 5 ROW, PRESS FIT LEADS. DRAWING NO 00779. SHEET 1 OF 1. REV 0.